

# PLx1.4 Mark II

Item No: 193000104200



The PLx1.4 Mark II has improved optical performance especially at higher T-Stops. It extends the focal length of S35 PL mount lenses by a factor of 1.4, losing only one stop of light. The recommended max. input T-Stop is 1.6.

The extender features high-index, low-dispersion glass to ensure the highest possible resolution and contrast with minimal optical degradation. The optical design is optimized for digital cameras with telecentric ray path at the sensor.

Compatibility is achieved with a deep-set optical assembly that accepts lenses with deep protruding rear elements. The PLx1.4 Mark II is also designed to mount to any digital cinema camera with a native PL mount. The UMS Mount System makes it easy to change the mount to Canon EF, Sony E, MFT or others without re-shimming.

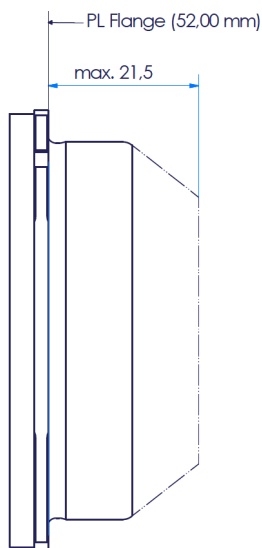


## TECHNICAL DATA

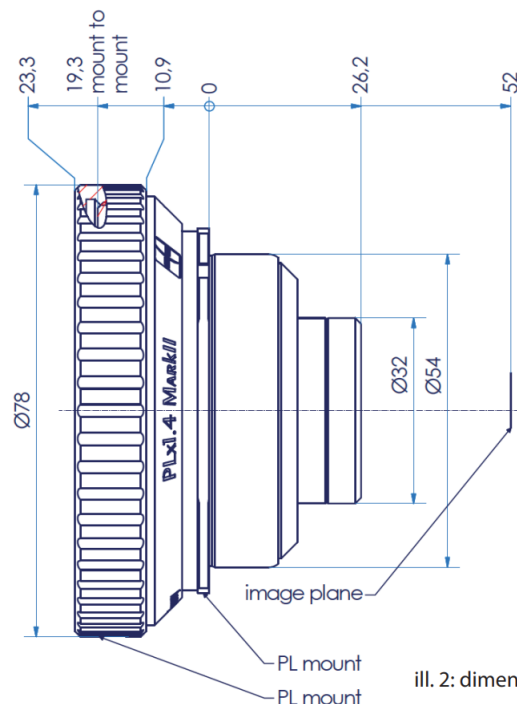
Max. image diameter (mm)	34.5
Magnification	x1.4
Max. input T-Stop	1.6
Light drop (stops)	1.0
Lens Mount	PL Standard

Camera Mount	PL UMS Mount*
Diameter (mm)	78.0
Length (mm) PL to PL	19.3
Weight (kg)	0.4

\*without F Mount



ill. 1: max. measurements of input lens



ill. 2: dimensional drawing

