

RAPTOR[®] S35

MACRO CINE

120mm



IB(E Optics presents the new Raptor macro lenses for S35 Sensors that lot of customers asked for.

The most important feature of this new series is the higher T-Stop of 2,3 and can be used worldwide with any Super 35 sensor like the new ARRI 35 or a Phantom. The first two focal lengths are 80 mm and 120 mm come with a maximum magnification of 1:1.2

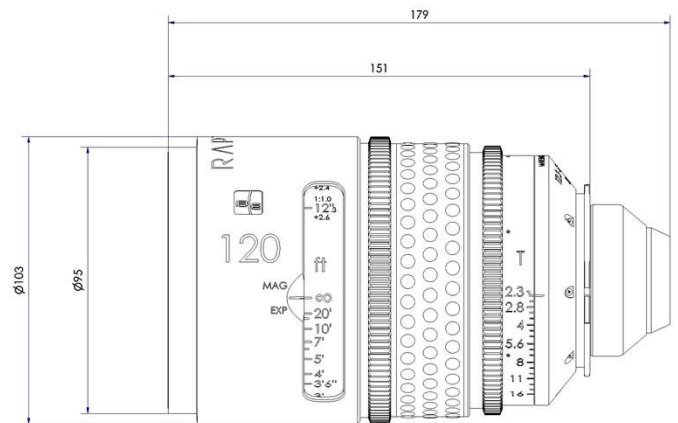


FEATURES

- T-Stop 2.3
- Maximum Magnification 1:1.2
- Internal Focusing (Constant Lens Length)
- Extended Color Correction (APO)
- Front Diameter of 95 mm
- M0.8 Gear Wheels for Focus and Iris Control
- UMS PL Mount (Nikon F, Canon EF, Sony NEX E, etc.)
- Robust Mechanical Design
- Consistent Distance from Flange to Iris and Focus Ring

TECHNICAL DATA

Focal Length	120 mm
Magnification	1:1.2
Aperture	T 2.3 - T 16
Max. Aperture Infinity / Near	T 2.3 - T 4.2
Close Focus	38 cm / 15"
Min. Working Distance	18.3 cm / 7.2"
Focus Rotation	300°
Iris Rotation	70°
No. Iris Blades	9
Max. Image Diameter (PL Mount)	36 mm / 1.42"
Mount	PL UMS
Length (Flange to Front)	151 mm / 5.91"
Front Diameter	95 mm / 3.74"
Weight	2 kg / 4.4 lbs



**Subject to change - 01/2024 **